



- Easy to install
- Portable
- Multi-directional lamp heads
- Lead battery
- Test button

Light Source:

12V, 21W

Materials:

Base and reflector unit in white ABS

Clear polycarbonate diffuser

Installation:

Suitable for wall mounting

Cable entry on rear and top

Direct screw fixed with keyhole slots

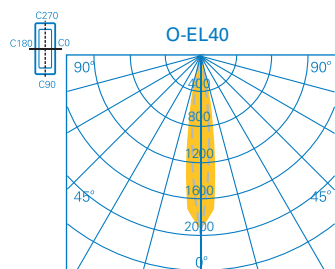
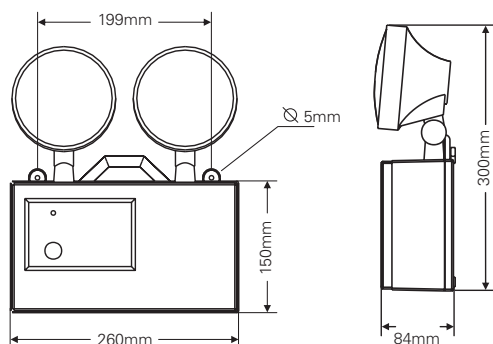
Lamp heads swivel and tilt, locked in position by screws

Applications:

Cinemas and theatres, warehouses, shopping malls

Smart design to provide a fully portable emergency beam light that suits a wide variety of applications. Using a pair of adjustable beam lights gives the ability to offer a high light output to even long narrow escape routes.

A built-in test button allows the user to directly check how the luminaire is functioning while at the same time offers the user the choice to disable one of the beams in order to double luminaire's emergency duration.



Model	Height (m)	Distance for 1 Lux				Distance for 0,5 Lux			
		↔	↔	↔	↔	↔	↔	↔	↔
O-EL40	02,60	02,60	06,95	02,34	05,58	03,98	09,12	03,29	09,38
	02,80	02,61	06,92	02,43	05,60	03,96	09,36	03,30	09,36
	03,00	02,63	06,90	02,61	05,79	03,95	09,60	03,40	07,44
	03,20	02,69	06,91	02,69	06,14	03,96	09,63	03,57	07,36
	03,50	02,40	07,25	02,83	06,46	04,12	10,00	03,73	07,67
	04,00	02,40	07,46	01,54	06,95	04,23	09,77	03,98	08,00

Order code	Description					
O-EL40	Beamlite, 2x21W	2x18W	115 Lm	90°	Lead 2x12V - 7,2Ah	Non-Maintained